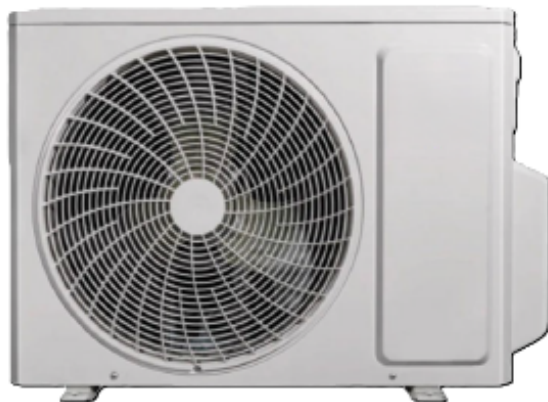
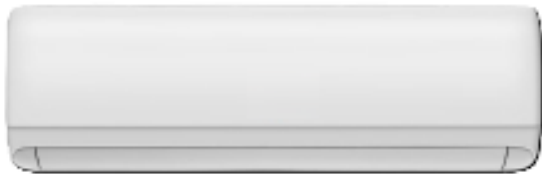


Job name:	Date:
Scheduled Reference:	Contractor:

### System information



AHRI number	\	
Outdoor Model	\	WLW18HQ19SDO
Indoor Model	\	WLW18HQ19SDI
System Rating		
Cooling Capacity	Btu/h	17600
Heating Capacity (47°F)	Btu/h	22519
Heating Capacity (17°F)	Btu/h	15300
Cooling Capacity Range	Btu/h	3753-19960
Heating Capacity Range	Btu/h	2730-22519
Power Supply	\	208-230V/1Ph/60Hz
SEER2	\	17.5
HSPF2	\	8
EER	W/W	2.9
COP	W/W	3.2
Gas Pipe	inch (mm)	1/2 (12)
Liquid Pipe	inch (mm)	1/4 (6)
Pre-Charge Length	ft (M)	24.6 (7.5)
MIN. Refrigerant Pipe Length	ft (M)	10 (3)
MAX. Refrigerant Pipe Length	ft (M)	100 (30)
MAX. Vertical Height difference between Indoor and Outdoor	ft (M)	66 (20)
Connection Method	\	Screw Connection
Refrigerant Type	\	R410A
Factory Charge	oz	44.1
Additional Charge	oz	0.2

**Features:**

Wi-fi

8C heating mode

I-feel function

Turbo mode

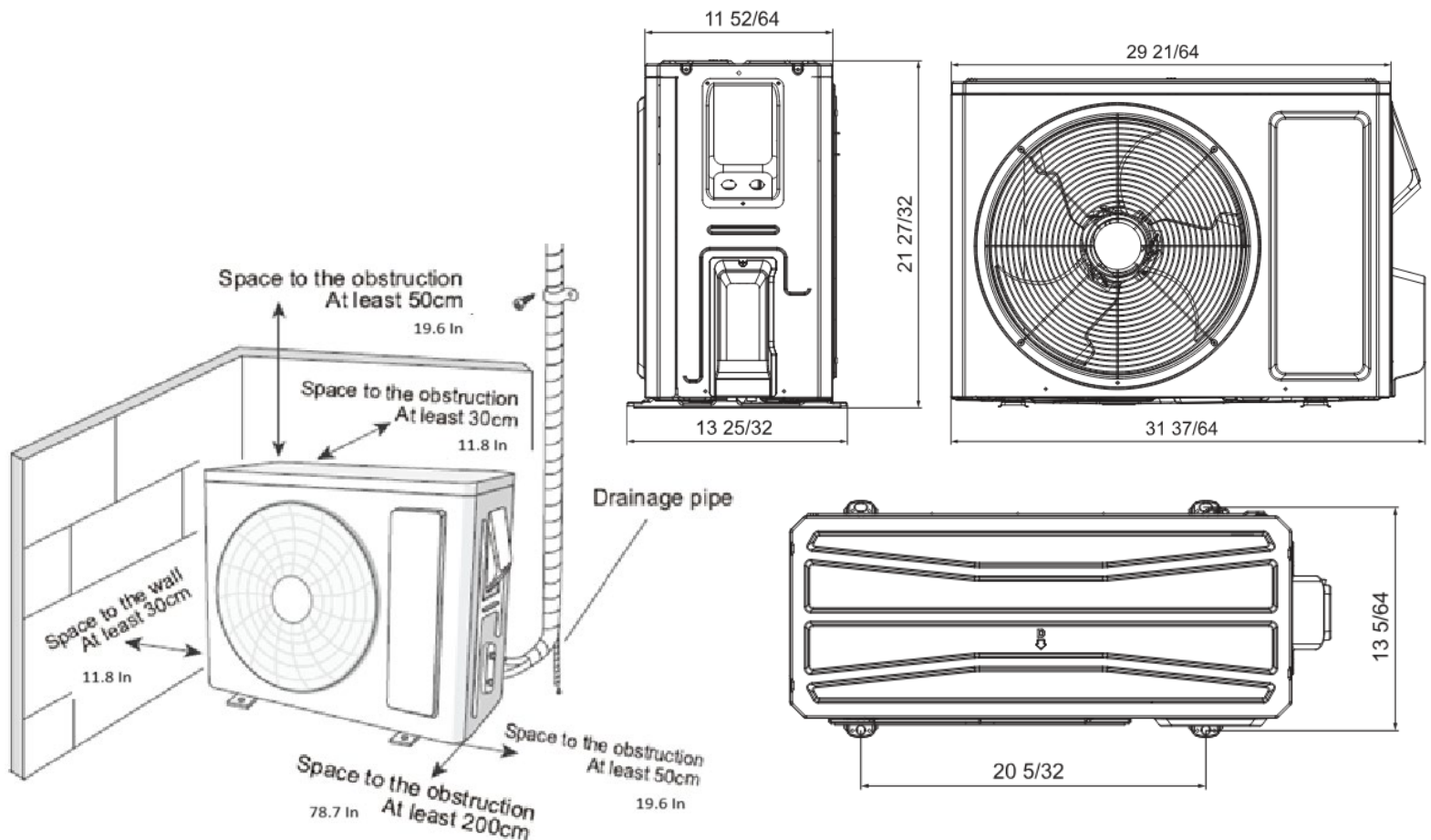
Self-clean function

Dehumidify



## Outdoor Data and Dimensions

Outdoor Unit Data		
Compressor Type		Rotary
Compressor RLA	A	9.3
Sound Pressure Level	dB(A)	57
Min/Max Voltage	V	187-253
MCA	A	14
MOP	A	20
Dimension (HxWxD)	inch (mm)	21 54/64 x 31 37/64 x 13 5/64 (555 x 802 x 350)
Net Weight	lb (Kg)	71.7 (32.5)
Gross Weight	lb (Kg)	77.2 (35)
Operating Temperature for Cooling	°F/°C	0-118 (-18-48)
Operating Temperature for Heating	°F/°C	-13-75 (-25-24)



## Indoor data and Dimensions

Indoor Unit Data		
Air Flow Volume	CFM (m <sup>3</sup> /h)	283-618 (480-1050)
Sound Pressure Level	dB(A)	32-51
Dehumidification	pt/hr	3.8
Min/Max Voltage	V	187-253
MCA	A	-
MOP	A	-
Dimension (HxWxD)	inch (mm)	13 7/64 x 38 32/64 x 9 44/64 (333 x 978 x 248)
Net Weight	lb (Kg)	29.8 (13.5)
Gross Weight	lb (Kg)	35.3 (16)

Unit: inch

W	H	D	W1	W2	W3
38 1/2	13 7/64	9 49/64	8 15/64	22 7/64	8 11/64

